

Catalog Number:	Project Name:	Note:	Date:	Type:
-----------------	---------------	-------	-------	-------

DESCRIPTION

The HBU2 Round High Bay fixture is efficient, durable and designed to withstand harsh conditions with its remarkable heat dissipation, dust-tight body and resistance to water.

Premium quality provides excellent solution for high-ceiling mount applications, especially in warehouse, storage, gymnasiums, retail spaces and convention centers.



CONSTRUCTION

Die-cast aluminum heat sink provides superior thermal transfer to extend lifespan of the luminaire. Built rugged to withstand harsh conditions, IP65 rated. Fixture comes standard with j-hook for suspended mounting.

ELECTRICAL

Luminaire is built with the highest quality driver that is Universal Voltage (100-277V), uses long lasting, high-efficient LED packages.

LENS

Flat clear PC lens.

SENSOR READY

Motion sensor and daylight harvesting sensor available.

ENERGY SAVINGS

Over 50% energy savings than traditionally fluorescent fixtures, low heat productions requires less maintenance and operation cost.

LISTING

UL Listed, FCC, RoHS, CE, IP65 rated

WARRANTY

5 year Limited Warranty, Rated for 50,000 hours. See Warranty documentation for details.

WATTAGE	DELIVERED LUMENS	EFFICACY
150W	23,172	152 lm/W
240W	37,213	151 lm/W

TECHNICAL SPECIFICATION

CCT	5000K
CRI	80+
DIMMABLE	0-10V dimming
BEAM ANGLE	110°
VOLTAGE	100V - 277V
POWER FREQUENCY	50/60 Hz
POWER FACTOR	>0.9
THD	≤20%
WORKING TEMPERATURE	-40°F ~ 122°F
STORAGE TEMPERATURE	-40°F ~ 176°F
IP RATING	IP65 Wet Location
WARRANTY	5 year limited



ORDERING SAMPLE:

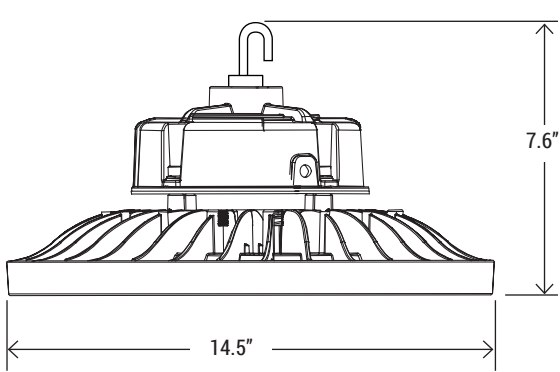
- - - - - -

Series	Wattage	CCT	Voltage
PT-HBU2 LED UFO High Bay Series	150W 240W	50K (5000K)	(100V/277V)

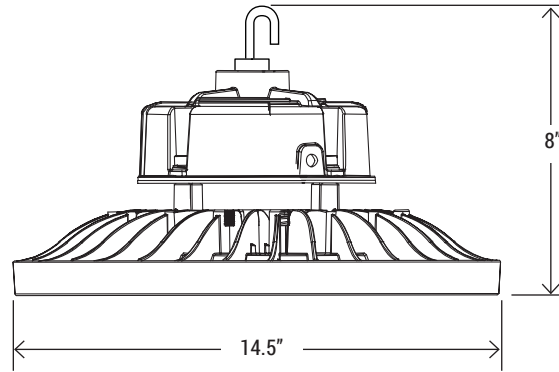
Accessories/Options (Sold separately)		
Mounting	EM Battery	Sensor
Blank (Standard J-hook) UB-HBU2-SM UB-HBU2-LG	Blank (No option) EMU-25W EMU-40W	Blank (No option) MSU

Catalog Number:	Project Name:	Note:	Date:	Type:
-----------------	---------------	-------	-------	-------

DIMENSION



150W



240W

ADDITIONAL MOUNTING OPTION



UB-HBU2-SM
Small U-Bracket
Mounting (150W)

UB-HBU2-LG
Large U-Bracket
Mounting (240W)

EM BATTERY OPTION



PT-EMU-25W / PT-EMU-40W
Emergency LED Driver For Round
High Bay

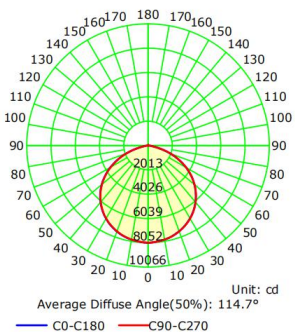
SENSOR OPTION



MSU
Integrated Dimmable
Microwave Motion Sensor

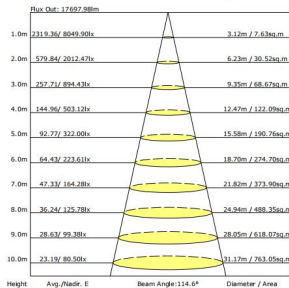
PHOTOMETRICS DATA

Luminous Intensity Distribution Curve

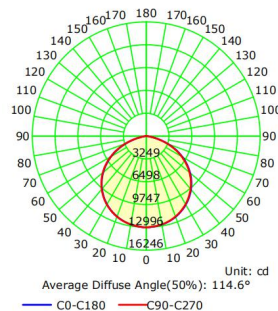


PT-HBU2-150W

The Average Illuminance Effective Figure



Luminous Intensity Distribution Curve



PT-HBU2-240W

The Average Illuminance Effective Figure

