

Catalog Number:	Project Name:	Note:	Date:	Type:
-----------------	---------------	-------	-------	-------

DESCRIPTION

Portor's TFA is field-adjustable, and can be programmed with a CCT of 3500K, 4000K, or 5000K, eliminating the need to stock multiple color temperatures.

Ideal use for office spaces, walkways, schools/campuses, shopping centers, hospitality and health care industry.



CONSTRUCTION

Constructed of one-piece ribbed unitized housing and corners that interlock, preventing damage to luminaire. All sides and corners are turned in and hemmed, removing sharp edges for safe handling and installation.

ELECTRICAL

Luminaire is built with the highest quality 120-277VAC drivers.

OPTICAL SYSTEM

Designed to reduce glare and improve light distribution through precision formed lens optics.

DIMMING

0-10V dimmable standard

LISTING

UL Listed, DLC Premium Listed

WATTAGE	DELIVERED LUMENS	EFFICACY
35W	3300 @ 3500K	125 lm/W
	4445 @ 5000K	

Based on the higher wattage @ 3500K/4000K/5000K setting. Actual lumens may vary.

TECHNICAL SPECIFICATION

WATTAGE	25W/30W/35W
CCT	3500K/4000K/5000K
CRI	82
DIMMABLE	0-10V dimming
BEAM ANGLE	120°
VOLTAGE	120V-277V
POWER FREQUENCY	50/60 Hz
POWER FACTOR	>0.9
THD	≤10%
WORKING TEMPERATURE	-40°F ~ 122°F
STORAGE TEMPERATURE	-40°F ~ 158°F
IP RATING	IP44, Suitable for damp locations
WARRANTY	5 year limited

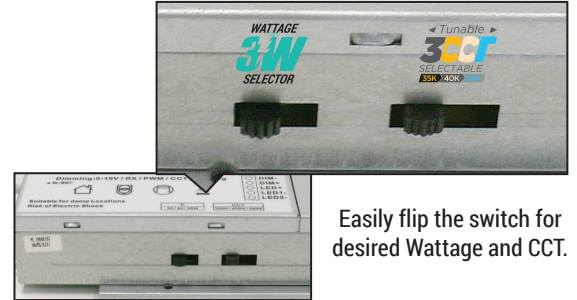
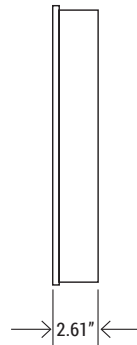
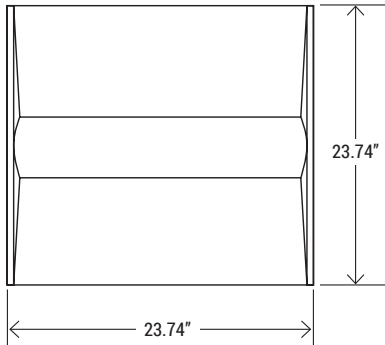


ORDERING SAMPLE: - - - - -

Series	Size	Wattage	CCT	Accessories/Options	
PT-TFA LED Field-Adjustable Troffer	22 (2' x 2')	(Default at 30W) 25W/30W/35W	3CCT (Default @ 4000K) (3500K/4000K/5000K)	Sensor	EM Battery
				MSS-TR MSS-RC-100	PT-A-EM1-15W

Catalog Number:	Project Name:	Note:	Date:	Type:
-----------------	---------------	-------	-------	-------

DIMENSION



Easily flip the switch for desired Wattage and CCT.

MOTION SENSOR



MSS-TR
Microwave Bi-Level Motion Sensor for Troffer



MSS-RC-100
Indoor Sensor Remote Programmer for Troffer

OPTIONS



PT-A-EM1-15W
LED Emergency Driver



DLC LISTING

CATALOG NUMBER	WATTAGE	DELIVERED LUMENS	EFFICACY	DLC PRODUCT ID	CLASSIFICATION
PT-TFA-22-3CCT	35W	3300 @ 3500K	125 lm/W	PLG2218SNTEC	PREMIUM
PT-TFA-22-3CCT		4445 @ 5000K	125 lm/W		

Based on the higher wattage @ 3500K/5000K setting. Actual lumens may vary.

Catalog Number:	Project Name:	Note:	Date:	Type:
-----------------	---------------	-------	-------	-------

PHOTOMETRY

PT-TFA-22-3CCT

Wattage: **35W**

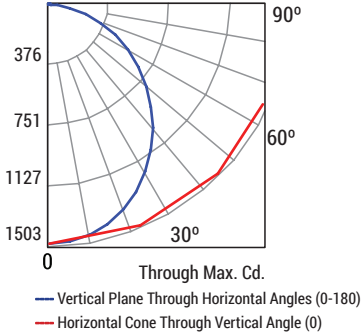
Delivered lumens: **4481**

Efficacy: **126 lm/W**

CCT: **3500K**

CRI: **82**

Maximum Candela : 1502.9



RCR	Coefficients of Utilization											
	20%											
	80%			70%			50%					
	70%	50%	30%	10%	70%	50%	30%	10%	50%	30%	10%	
0	119	119	119	119	116	116	116	116	111	111	111	
1	108	103	98	94	105	101	96	93	96	93	90	
2	98	89	82	76	95	87	80	75	83	78	73	
3	89	78	69	62	86	76	68	62	73	66	61	
4	81	69	60	53	79	67	59	51	65	57	51	
5	74	61	52	45	72	60	51	45	58	50	44	
6	69	55	46	39	67	54	45	39	51	44	38	
7	64	50	41	35	62	49	41	34	47	40	34	
8	59	45	37	31	58	45	36	31	43	36	31	
9	55	42	33	28	54	41	33	28	40	33	27	
10	52	38	30	25	51	38	30	25	37	30	25	

CP Summary

	0°	90°
0°	1502.9	1502.9
5°	1495.2	1495.9
15°	1427.1	1449.6
25°	1296.8	1362.3
35°	1121.5	1238.5
45°	1152.4	1322.5
55°	688.1	927.7
65°	464.8	754.3
75°	251.4	516.3
85°	63.2	152.6
90°	0.0	0.0

Zonal Lumen Summary

	Lumens	%Lamp	%Fixture
0° - 20°	547.97	12.20	12.20
0° - 30°	1159.95	25.90	25.90
0° - 40°	1894.85	42.30	42.30
0° - 60°	3373.08	75.30	75.30
0° - 80°	4359.82	97.30	97.30
0° - 90°	4478.35	99.90	99.90

PT-TFA-22-3CCT

Wattage: **35W**

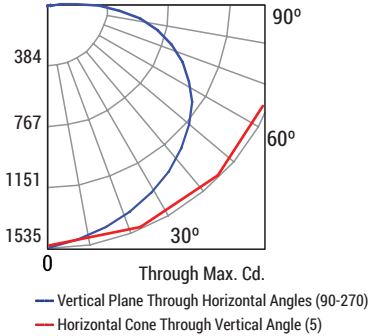
Delivered lumens: **4585**

Efficacy: **128 lm/W**

CCT: **5000K**

CRI: **82**

Maximum Candela : 1534.6



RCR	Coefficients of Utilization											
	20%											
	80%			70%			50%					
	70%	50%	30%	10%	70%	50%	30%	10%	50%	30%	10%	
0	119	119	119	119	116	116	116	116	111	111	111	
1	108	103	98	94	105	101	96	93	96	93	90	
2	98	89	82	76	95	87	80	75	83	78	73	
3	89	78	69	62	86	76	68	62	73	66	61	
4	81	69	60	53	79	67	59	51	65	57	51	
5	74	61	52	45	72	60	51	45	58	50	44	
6	69	55	46	39	67	54	45	39	51	44	38	
7	64	50	41	35	62	49	41	34	47	40	34	
8	59	45	37	31	58	45	36	31	43	36	31	
9	55	42	33	28	54	41	33	28	40	33	27	
10	52	38	30	25	51	38	30	25	37	30	25	

CP Summary

	0°	90°
0°	1502.9	1502.9
5°	1495.2	1495.9
15°	1427.1	1449.6
25°	1296.8	1362.3
35°	1121.5	1238.5
45°	1152.4	1322.5
55°	688.1	927.7
65°	464.8	754.3
75°	251.4	516.3
85°	63.2	152.6
90°	0.0	0.0

Zonal Lumen Summary

	Lumens	%Lamp	%Fixture
0° - 20°	547.97	12.20	12.20
0° - 30°	1159.95	25.90	25.90
0° - 40°	1894.85	42.30	42.30
0° - 60°	3373.08	75.30	75.30
0° - 80°	4359.82	97.30	97.30
0° - 90°	4478.35	99.90	99.90